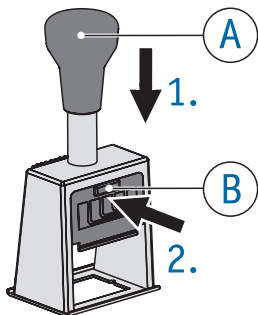
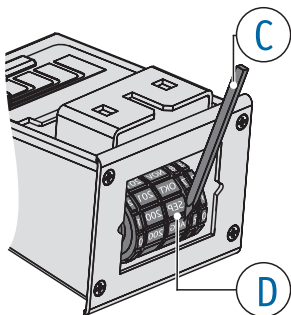


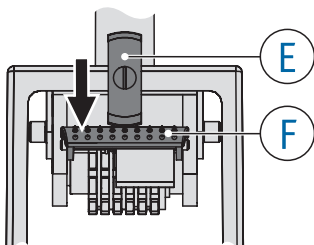
1



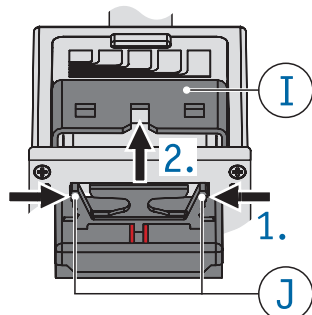
2



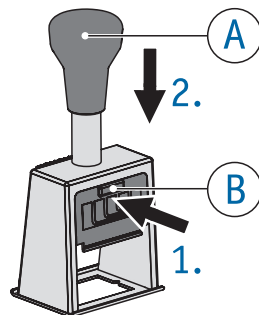
3



4



5



**To set the stamp wheels** ⇒ Fig. **1 + 2 + 3**

- ▶ Press the handle **(A)** to the bottom of its travel and keep holding it.
- ▶ Press and hold button **(B)** on the front plate.
- ▶ Allow the handle **(A)** to move upwards until the handle locks in place.
- ▶ You will be able to move the stamp wheels **(D)** freely with the stylus **(C)**.
- ▶ In order to return to the print position, simply push down on handle **(A)**.

You can easily place the date or the number one position further!

*(Not valid for the stamp Model 75.)*

- ▶ Press the switch button **(F)** once.

*This applies to the stamp D28N:*

- ▶ To automatically place the number one position further in every stamping process, rotate the rotary switch **(E)** 90°.

**To insert the inkpad** ⇒ Fig. **1 + 4**

**Note:** Use only oil-containing stamp ink.

**Handle with caution to avoid dirt from ink!**

- ▶ Press the handle **(A)** to the bottom of its travel and keep holding it.
- ▶ Press the button **(B)** on the front plate and continue to hold it.
- ▶ Allow the handle **(A)** to move upwards until the handle locks in place.
- ▶ Unpack the inkpad carefully.
- ▶ Squeeze the grips **(J)** on the back of the inkpad and hold them.

- ▶ Insert the ink pad inside the pad cradle. Slide the pad into the slot **(I)** of the stamp.
- ▶ In order to return to the print position, simply push down on handle **(A)**.

**To park the stamp** ⇒ Fig. **5**

**To prolong the life of the inkpad, park the stamp!**

- ▶ Press and hold button **(B)** on the front plate.
- ▶ Gently push handle **(A)** downwards until the stamp clicks & locks in a raised position.
- ▶ In order to return to the print position, simply push down on handle **(A)**.