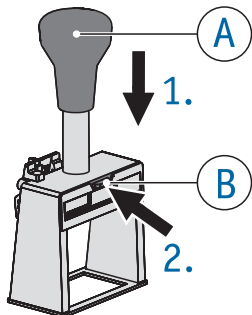
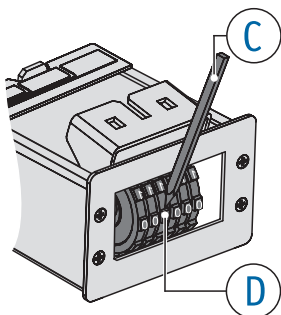
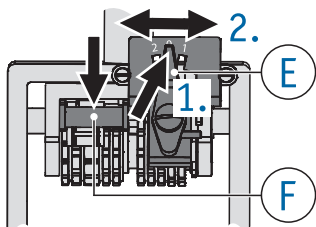
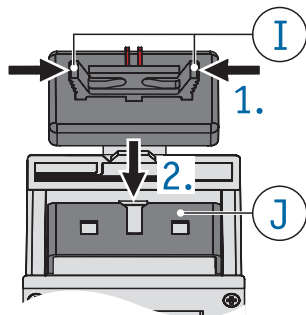
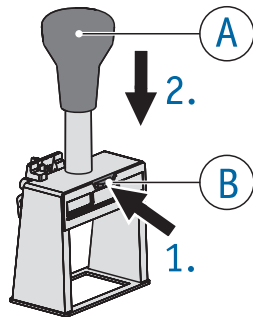


**1****2****3****4****5**

**To set the stamp wheels** ⇒ Fig. **1 + 2 + 3**

- ▶ Press the handle **(A)** to the bottom of its travel and keep holding it.
- ▶ Press and hold button **(B)** on the front plate
- ▶ Allow the handle **(A)** to move upwards until the handle locks in place.
- ▶ You will be able to move the stamp wheels **(D)** freely with the stylus **(C)**.
- ▶ In order to return to the print position, simply push down on handle **(A)**.

You can easily place the date one day further ahead! *(Not valid for the stamp Model N41a.)*

- ▶ Press the switch button **(F)** once.

**To insert the inkpad** ⇒ Fig. **1 + 4**

**Note:** Use only oil-containing stamp ink.  
**Handle with caution to avoid dirt from ink!**

- ▶ Press the handle **(A)** to the bottom of its travel and keep holding it.
- ▶ Press the button **(B)** on the front plate and continue to hold it.
- ▶ Allow the handle **(A)** to move upwards until the handle locks in place.
- ▶ Unpack the inkpad carefully.
- ▶ Squeeze the grips **(I)** on the back of the inkpad and hold them.
- ▶ Insert the ink pad inside the pad cradle. Slide the pad into the slot **(J)** of the stamp.
- ▶ In order to return to the print position, simply push down on handle **(A)**.

**To change the numbering actions** ⇒ Fig. **3**

Actions	
<b>0</b>	The same number is stamped every time.
<b>1</b>	Number increases after each stamping process.
<b>2</b>	Number increases after every 2 <sup>nd</sup> stamping process.
	etc.

- ▶ Press the switch lever **(E)** and slide it to the desired action.

**To park the stamp** ⇒ Fig. **5**

**To prolong the life of the inkpad, park the stamp!**

- ▶ Press and hold button **(B)** on the front plate.
- ▶ Gently push handle **(A)** downwards until the stamp clicks & locks in a raised position.
- ▶ In order to return to the print position, simply push down on handle **(A)**.