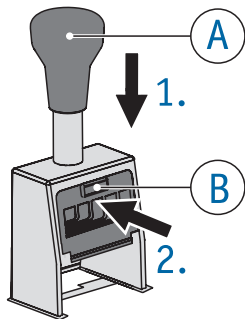
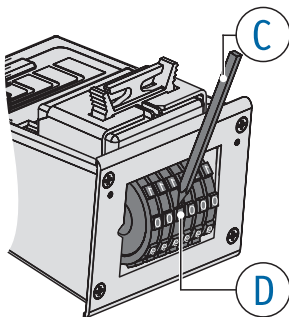
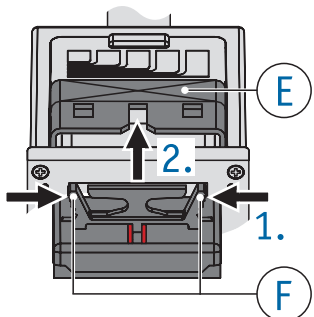
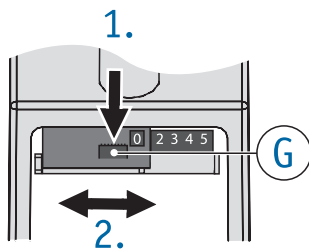
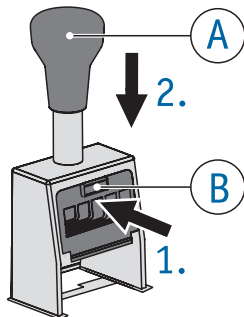


1**2****3****4****5**

To set the stamp wheels ⇒ Fig. 1 + 2

- ▶ Press the handle (A) to the bottom of its travel and keep holding it.
- ▶ Press and hold button (B) on the front plate.
- ▶ Allow the handle (A) to move upwards until the handle locks in place.
- ▶ You will be able to move the stamp wheels (D) freely with the stylus (C).

You can hide preceding zeros in a number!

Example:	49	instead of	000049
-----------------	----	------------	--------

- ▶ To do this move the stamp wheels (D) with the adjusting pin (C) to the empty spaces between "0" and "1".
- ▶ In order to return to the print position, simply push down on handle (A).
- ▶ Any wheel which has been put in 'non-print position' will automatically be brought into play as the numbering sequence progresses. Wheels in 'non-print position' can also be brought into play by simply rotating them further (ie. push towards figure 1.).

To insert the inkpad ⇒ Fig. 1 + 3

Note: Use only oil-containing stamp ink. Handle with caution to avoid dirt from ink!

- ▶ Press the handle (A) to the bottom of its travel and keep holding it.
- ▶ Press the button (B) on the front plate and continue to hold it pressed.
- ▶ Allow the handle (A) to move upwards until the handle locks in place.

- ▶ Unpack the inkpad carefully.
- ▶ Squeeze the grips (F) on the back of the inkpad and hold them.
- ▶ Insert the ink pad inside the pad cradle. Slide the pad into the slot (E) of the stamp.
- ▶ In order to return to the print position, simply push down on handle (A).

To change the numbering actions ⇒ Fig. 4

Actions	
0	The same number is stamped every time.
1	Number increases after each stamping process.
2	Number increases after every 2 nd stamping process.
	etc.

- ▶ Press the switch button (G) downwards and place it at the desired interval.

To park the stamp ⇒ Fig. 5

To prolong the life of the inkpad, park the stamp!

- ▶ Press and hold button (B) on the front plate.
- ▶ Gently push handle (A) downwards until the stamp clicks & locks in a raised position.
- ▶ In order to return to the print position, simply push down on handle (A).